

medLINK
RADIOGRAPHIC EQUIPMENT

Mi TWO-E
X-RAY SYSTEM
WITH ELEVATING 4 WAY FLOAT TOP TABLE

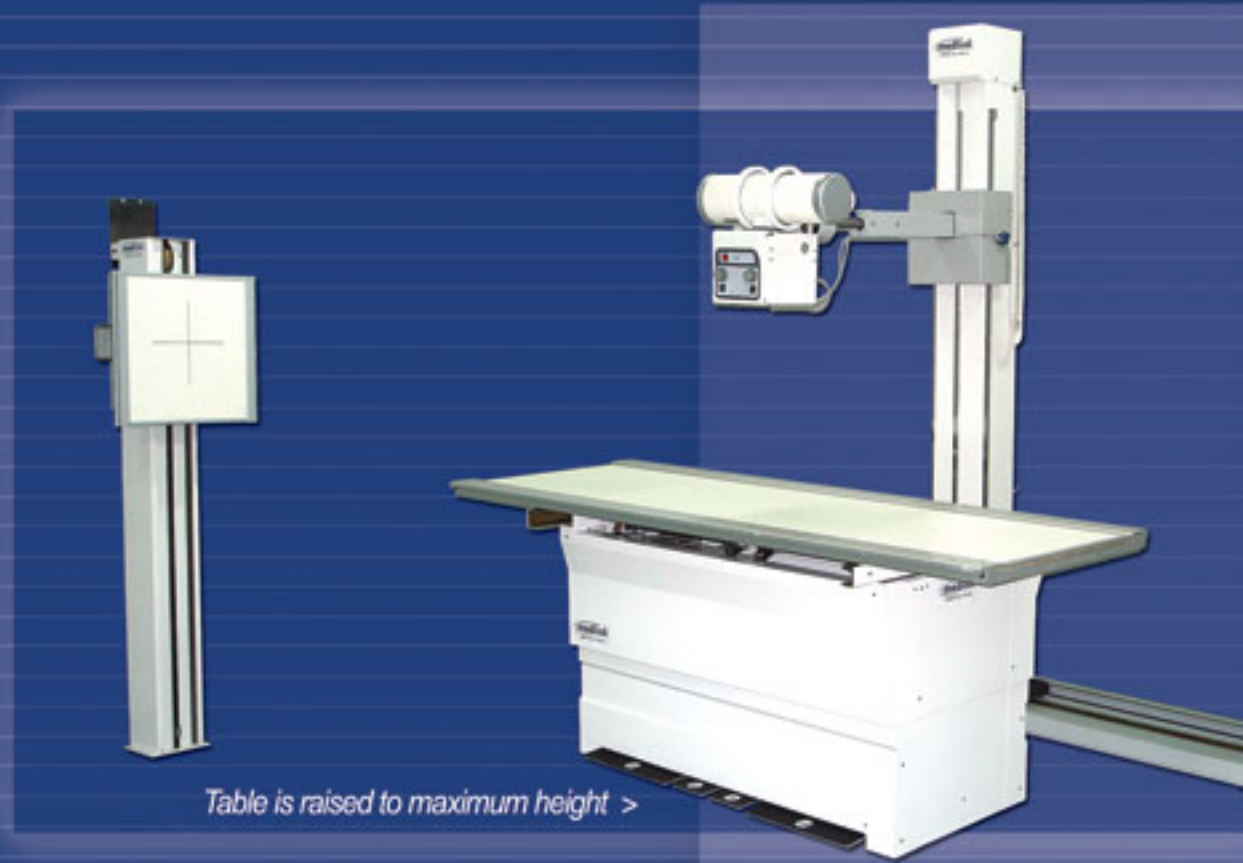
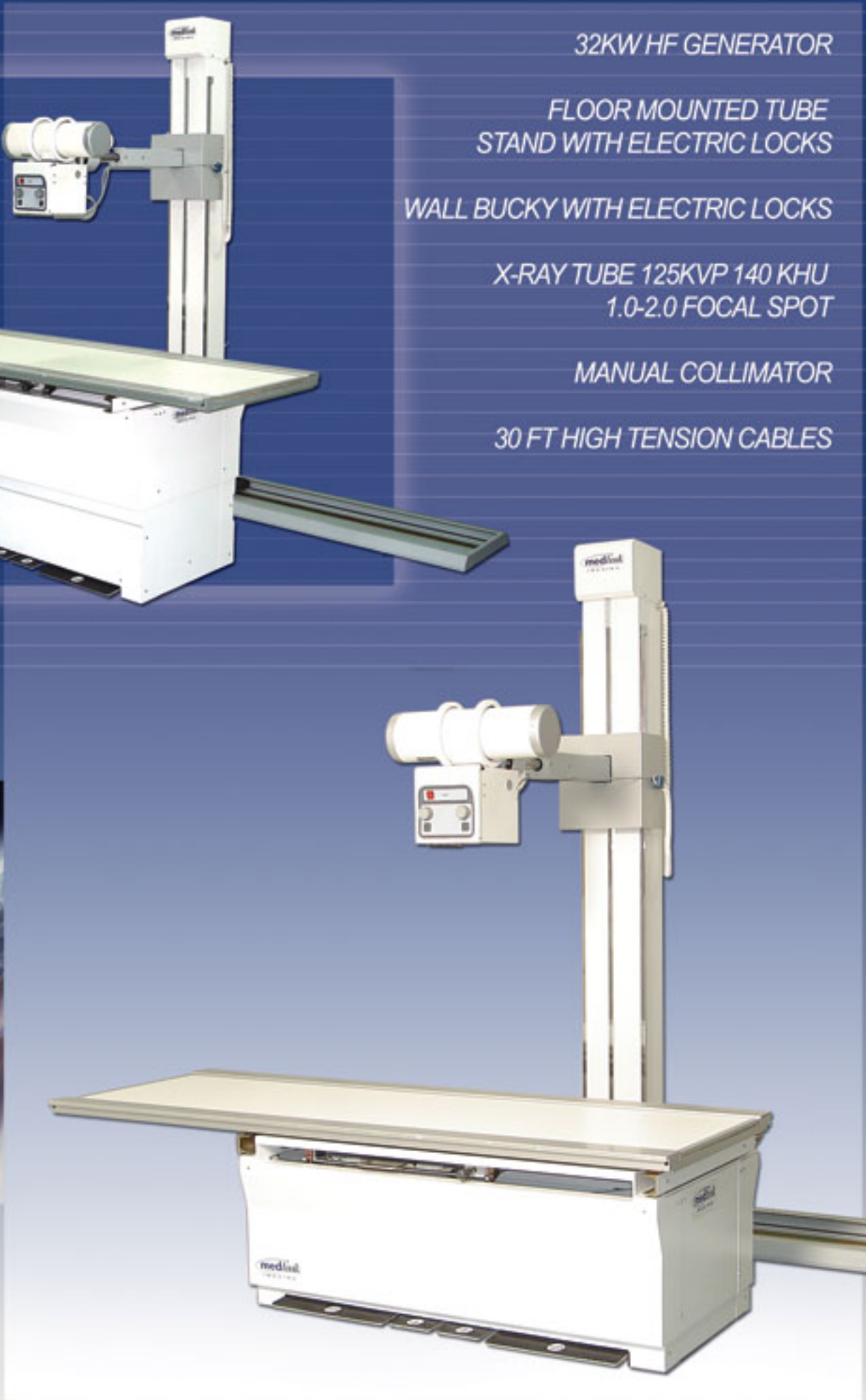


Table is raised to maximum height >

- 32KW HF GENERATOR
- FLOOR MOUNTED TUBE STAND WITH ELECTRIC LOCKS
- WALL BUCKY WITH ELECTRIC LOCKS
- X-RAY TUBE 125KVP 140 KHU
1.0-2.0 FOCAL SPOT
- MANUAL COLLIMATOR
- 30 FT HIGH TENSION CABLES

*This system is also Available
in non-elevating*



Brought to you by:

medlink
IMAGING

ELEVATING FOUR WAY FLOAT TOP SYSTEM

MECHANICAL SPECIFICATIONS

TABLE BASE:	NE	ELEVATING	
Total length	55.5	55.5	inches
Maximum height	30	35	inches
Minimum height		22	inches
Width	24	24	inches

TUBE STAND:			
Total length of floor mount		72	inches
Maximum width		15	inches
Maximum height		90	inches

WALL BUCKY:			
Height		75	inches

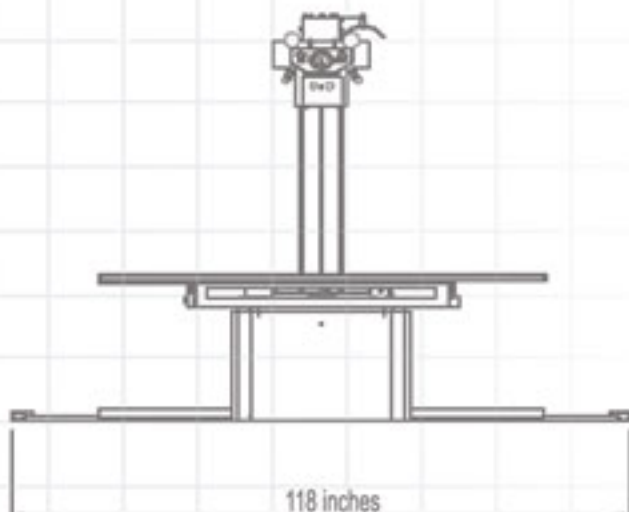
COLLIMATOR:			
Operation		Manual	

ELECTRICAL SPECIFICATIONS

Supply	110 VCA single phase
Frequency	50 Hz
Maximum current	1.2 Amps
Input power	130VA
Electric locks	26 VCA
Bucky supply	12VC
Motor for table	24VC

TABLETOP:

Length	80 inches
Width	30 inches
Tabletop surface	completely smooth
Distance from tabletop to film	3 inches
Longitudinal movement	17 inches
Lateral movement in both directions	4.5 inches
Longitudinal movement Bucky tray	28 inches



non-elevating floor plan

